

RATIONALE

REVISE LEAD THREAD CHAMFER TO AS1132, ADD NEW NOTE FOR DISPOSITION OF EXISTING INVENTORY, GENERAL EDITORIAL UPDATES.

REV.  
B

AS3402™

SAE Technical Standards Board Rules provide that: "This report is published by SAE to advance the state of technical and engineering sciences. The use of this report is entirely voluntary, and its applicability and suitability for any particular use, including any patent infringement arising therefrom, is the sole responsibility of the user." SAE reviews each technical report at least every five years at which time it may be revised, reaffirmed, stabilized, or cancelled. SAE invites your written comments and suggestions.

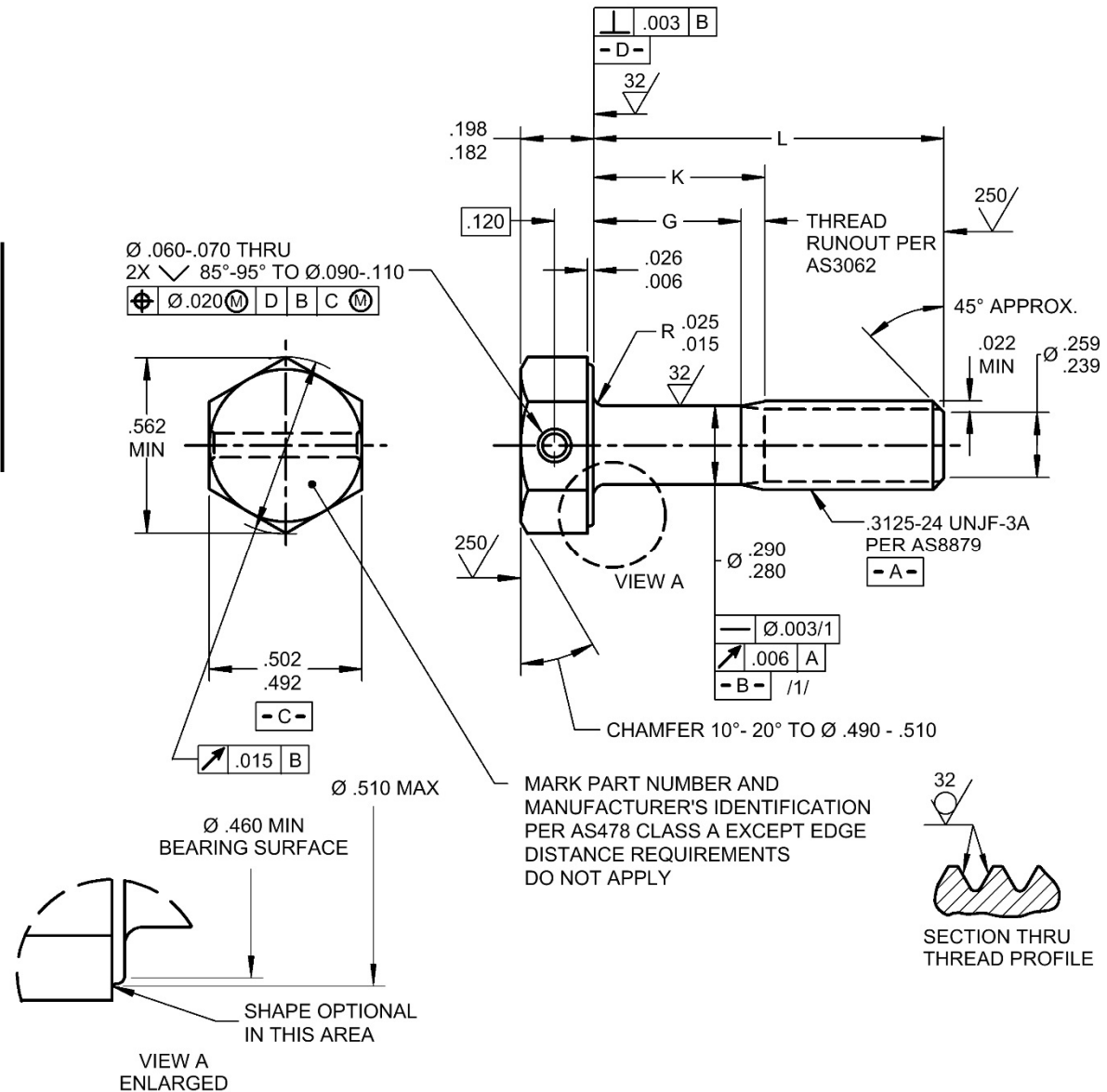
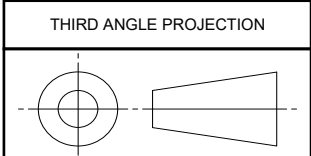


FIGURE 1 - BOLT

For more information on this standard, visit  
<https://www.sae.org/standards/content/AS3402B>



CUSTODIAN: E-25

PROCUREMENT SPECIFICATION: AS7471



**AEROSPACE STANDARD**

BOLT, MACHINE - HEXAGON HEAD,  
 DRILLED 1 HOLE, PD SHANK,  
 NICKEL ALLOY (UNS N07001), .3125-24 UNJF-3A

AS3402™  
 SHEET 1 OF 3

REV.  
 B

ISSUED 1985-08 REAFFIRMED 2006-10 REVISED 2020-11